

# AirSense 10 and AirCurve 10 reprocessing guide

English

This guide is intended for multipatient use of the AirSense™ 10 and AirCurve™ 10 devices.

When the device is used for multiple patients, for example, in a sleep lab, clinic, hospital or at a health care provider, the cleanable humidifier, air outlet and air tubing should be reprocessed between each patient use.

If the cleanable humidifier or the air tubing are being used for a single user in the home, refer to the cleaning instructions in the User Guide.

Described here are ResMed's recommended and validated procedures for cleaning and disinfecting the cleanable humidifier, air outlet and air tubing. However, the steps for disinfection vary regionally and each healthcare facility should consult its own procedures before carrying out those within this guide.

## WARNING

- ResMed cannot give any assurance that deviations from the procedures listed in this guide, and their effect on the performance of the product, will be acceptable.
- When using detergents, disinfectants or sterilisation agents, always follow the manufacturer's instructions.
- Beware of electrocution. Do not immerse the device, power supply or power cord in water. If liquids are spilled into or onto the device, unplug the device and let the parts dry. Always unplug the device before cleaning and make sure that all parts are dry before plugging it back in.

## Surface disinfection

1. Wipe the exterior of the device including display, externally accessible ports, side cover, power supply unit and accessories with a disposable cloth and mild detergent or alcohol disinfectant (see list below).
2. Remove any excess disinfectant with a disposable dry cloth.

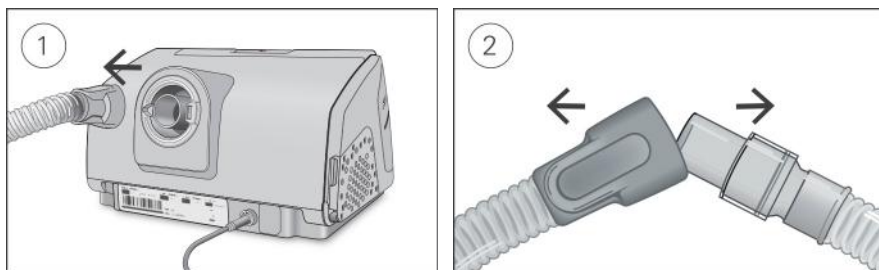
Agents recommended for surface disinfection and cleaning:

- Warm water and mild detergent eg, Teepol™ multipurpose detergent
- Window cleaner or other premixed surface detergent
- Methyl alcohol solution
- 70% Ethyl alcohol solution
- 70-90% Isopropanol solution
- 10% Bleach solution
- Isopropyl wipes
- CaviCide™
- Mikrozyd®
- Actichlor™ Plus
- Terralin®.

**Note:** Agents may not be available in all regions.

## Reprocessing the air tubing

### Disconnecting



1. Hold the cuff of the air tubing and gently pull it away from the device.
2. Hold both the cuff of the air tubing and the swivel of the mask, then gently pull apart.

### Decontaminating

Before the disinfection process, each component must be cleaned and rinsed so no visible contamination is present.

1. Clean all components with a soft bristled brush for one minute while soaking in detergent solution (see table below). Pay particular attention to all crevices and cavities.
2. Run the detergent solution through the air tubing repeatedly until no contamination is visible.
3. Thoroughly rinse each component according to the detergent manufacturer's instructions.

ResMed has tested the following detergents according to the manufacturer's instructions:

Detergent	Water temperature	SlimLine / Standard	ClimateLineAir	ClimateLineAir Oxy
Alconox™ (diluted at 1%)	Hot water (approx 60°C) Warm water (approx 45 to 60°C) Room temperature water (approx 21°C)	✓	✓	✓
Neodisher MediZym™ (diluted at 2.0%)	Warm water (approx 45 to 60°C)	✓		
Gigazyme® (diluted at 1.0%)	Room temperature water (approx 21°C)		✓	

### Disinfecting

In the procedures below, only one disinfection process needs to be performed.

#### High level thermal

Part	Validated number of cycles
	Hot water: 75°C for 30 minutes OR 70°C for 100 minutes.
SlimLine	20
ClimateLineAir	26
ClimateLineAir Oxy	20
Standard	100

1. Immerse the air tubing in a water bath.  
Take care that no air bubbles are trapped inside the air tubing.
2. Increase the water bath temperature to 70°C for 100 minutes, or a maximum of 75°C for 30 minutes. Higher temperatures may damage the tubing.
3. Air dry out of direct sunlight and/or heat.

## High level chemical

Part	Validated number of cycles		
	CIDEX® OPA Ortho-phthalaldehyde 0.55% for 12 minutes	Sterrad NX Sterrad 100S	Gigasept FF® 5% for 15 minutes
SlimLine	100	–	–
ClimateLineAir	26	26	26
ClimateLineAir Oxy	20	20	–
Standard	100	–	–

1. Soak the air tubing in a commercially available solution of a chemical sterilant.  
Take care that no air bubbles are trapped inside the air tubing.
2. Thoroughly rinse the air tubing in drinking quality water (five litres per assembly) by immersing it completely for a minimum of one minute in duration.
3. Repeat the rinse procedure two additional times using fresh water for a total of three rinses.
4. Air dry out of direct sunlight and/or heat.

### Inspecting

Perform a visual inspection of the air tubing. If any visible deterioration is apparent (holes, tears or cracks etc), the air tubing should be discarded and replaced. Slight discoloration may occur and is acceptable.

### Reconnecting the air tubing

When the air tubing is dry, you can reconnect it to the device.

1. Connect the air tubing firmly to the air outlet located on the rear of the device.
2. Connect the free end of the air tubing firmly onto the assembled mask.

### Packaging and storage

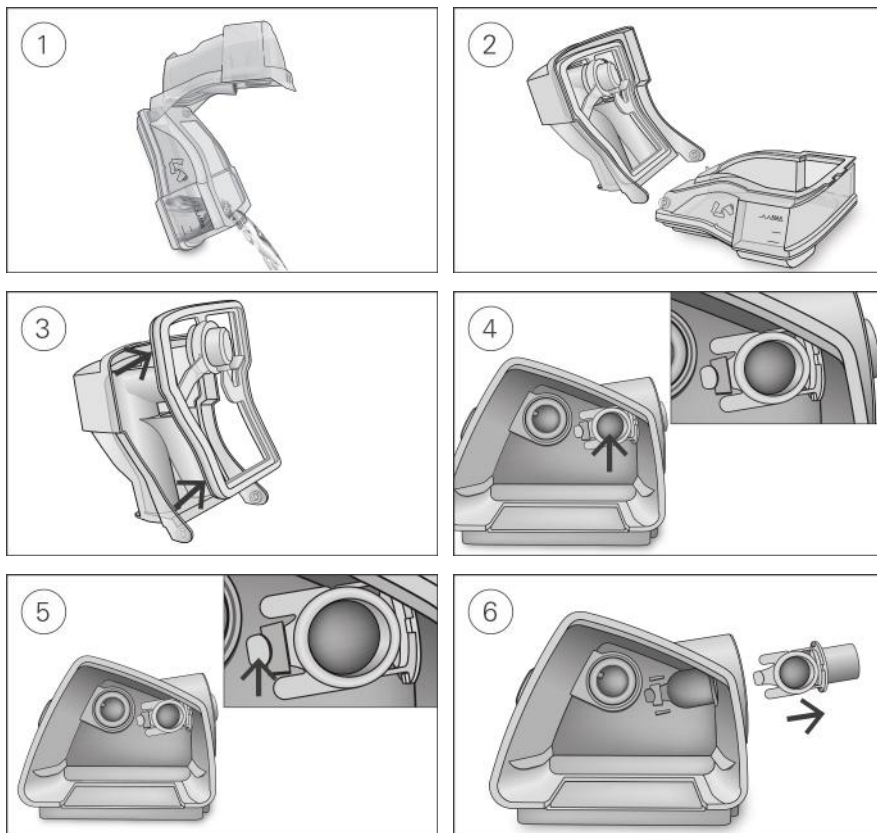
Store in a dry, dust-free environment away from direct sunlight.

Storage temperature: -20°C to 60°C.

## Reprocessing the humidifier and air outlet

### Disassembling

The following instructions provide guidance on how to correctly disassemble the cleanable humidifier and the air outlet.



1. Remove the humidifier from the device, open it and discard any remaining water.
2. Hold the humidifier base and then fully open the humidifier lid and pull it away so that it easily detaches from the base.
3. Remove the humidifier seal from the humidifier lid by pulling it away.
4. Locate the air outlet on the inside of the device.
5. Release the air outlet by pressing the clip located inside the device.
6. Remove the air outlet by pulling it out through the air outlet socket at the rear of the device.

### Decontaminating

Before the disinfection process, each component must be cleaned and rinsed so no visible contamination is present.

1. Clean all components with a soft bristled brush for one minute while soaking in detergent solution (see table below). Pay particular attention to all crevices and cavities.
2. Thoroughly rinse each component according to the detergent manufacturer's instructions.

ResMed has tested the following detergents according to the manufacturer's instructions:

Detergent	Water temperature	Cleanable humidifier	Air outlet
Alconox (diluted at 1%)	Hot water (approx 60°C) Warm water (approx 45 to 60°C) Room temperature water (approx 21°C)	✓	✓
Gigazyme (diluted at 1.0%)	Room temperature water (approx 21°C)	✓	✓

## Disinfecting

In the procedures below, only one disinfection process needs to be performed.

### High level thermal

Part	Validated number of cycles
	Hot water: 90°C for 1 minute OR 75°C for 30 minutes OR 70°C for 100 minutes.  Due to specific regional requirements, ResMed cleanable humidifiers have been tested for disinfection (100 cycles) at 93°C for 10 minutes
Cleanable humidifier	130
Air outlet	130

1. Soak the disassembled components in a hot water bath at pasteurising temperature.  
Take care that no air bubbles are trapped against the components.
2. Air dry out of direct sunlight and/or heat.

### High level chemical

Part	Validated number of cycles
	CIDEX OPA Ortho-phthalaldehyde 0.55% for 12 minutes Gigasept FF 5% for 15 minutes Sterrad NX Sterrad 100S
Cleanable humidifier	130
Air outlet	130

1. Soak the disassembled components in a commercially available solution of a chemical sterilant.  
Take care that no air bubbles are trapped against the components.
2. Thoroughly rinse the cleanable humidifier in drinking quality water (five litres per assembly) by immersing it completely for a minimum of one minute in duration.
3. Repeat the rinse procedure two additional times using fresh water for a total of three rinses.
4. Air dry out of direct sunlight and/or heat.

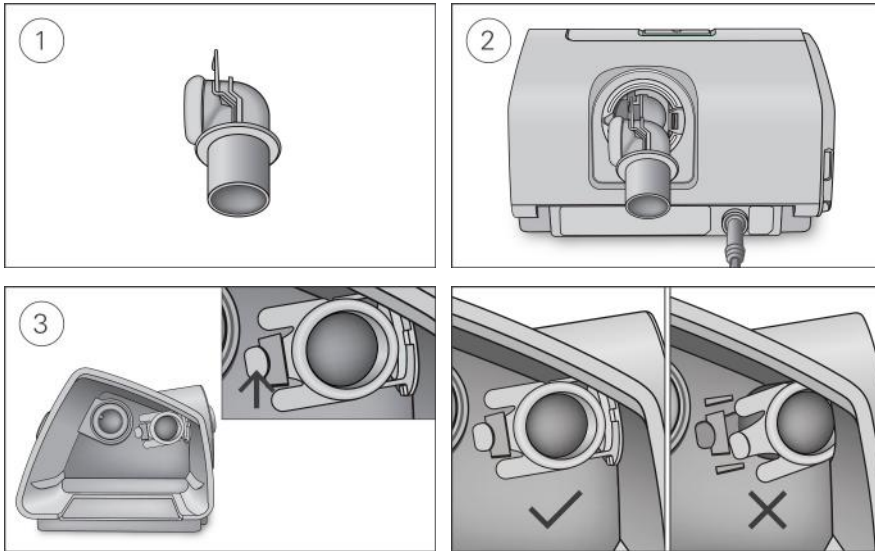
## Inspecting

Perform a visual inspection of all components. If any visible deterioration is apparent (cracking, crazing, tears, etc), the humidifier should be discarded and replaced. Slight discoloration of the silicone components may occur and is acceptable.

## Reassembling

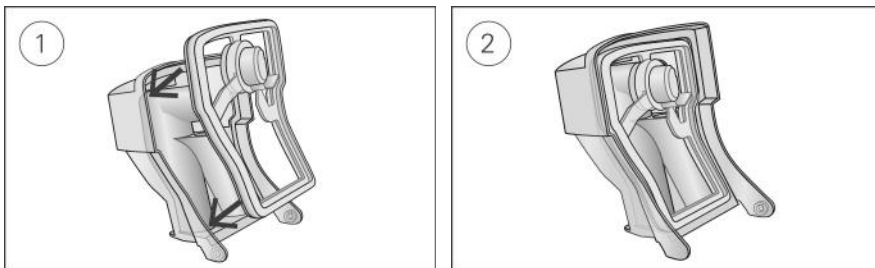
The following instructions provide guidance on how to correctly reassemble the air outlet and the humidifier.

### To reassemble the air outlet



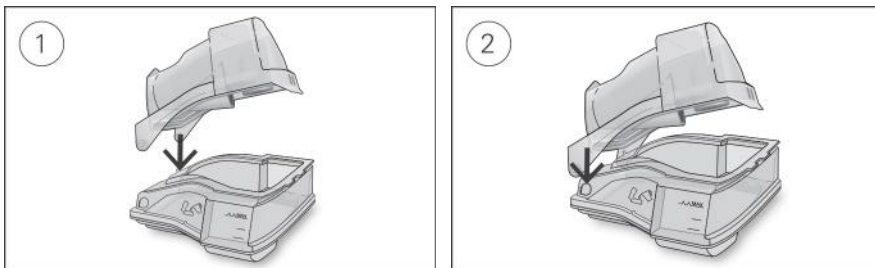
1. Hold the air outlet with the seal pointing to the left and the clip pointing forward.
2. Make sure that the air outlet is correctly aligned and insert the air outlet into the socket. It will click in place.
3. Check if the air outlet is inserted correctly as shown.

### To insert the humidifier seal:



1. Place the seal into the lid.
2. Press down along all edges of the seal until it is firmly in place.

### To reassemble the humidifier lid:



1. Insert one side of the lid into the pivot hole of the base.
2. Slide the other side down the ridge until it clicks into place.

## Packaging and storage

Store in a dry, dust-free environment away from direct sunlight.

Storage temperature: -20°C to 60°C.



**ResMed Ltd**  
1 Elizabeth Macarthur Drive  
Bella Vista NSW 2153 Australia

### DISTRIBUTED BY

ResMed Corp 9001 Spectrum Centre Boulevard San Diego CA 92123 USA  
 ResMed (UK) (for Ltd) 96 Jubilee Ave Milton Park Abingdon Oxfordshire OX14 4RW UK

See [www.resmed.com](http://www.resmed.com) for other ResMed locations worldwide. For patent and other intellectual property information, see [www.resmed.com/ip](http://www.resmed.com/ip). AirSense, AirCurve, ClimateLine and SlimLine are trademarks of ResMed Ltd. ClimateLine and SlimLine are registered in U.S. Patent and Trademark Office. Actichlor is a trademark of Ecolab US Inc. Alconox is a trademark of Alconox Inc. Cavicide is a registered trademark of Metrex Research, LLC. Sterrad and Cidex are trademarks of Johnson & Johnson. Gigasept, Gigazyme, Mikrozyd and Terralin are trademarks of Schülke & Mayr GmbH. Neodisher MediZym is a trademark of Chemische Fabrik Dr Weigert GmbH & Co. Teepol is a trademark of Shell Chemical Co.

© 2015 ResMed Ltd. 378410/2 2015-04

**ResMed.com**

**CE**  
0123